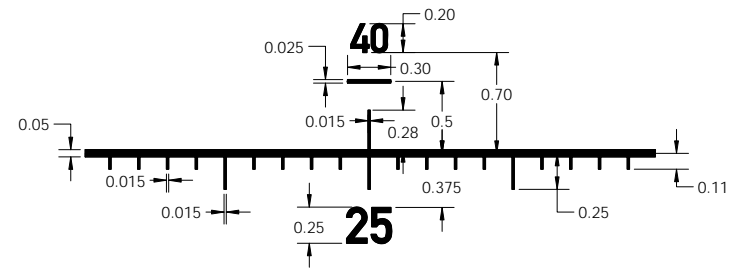
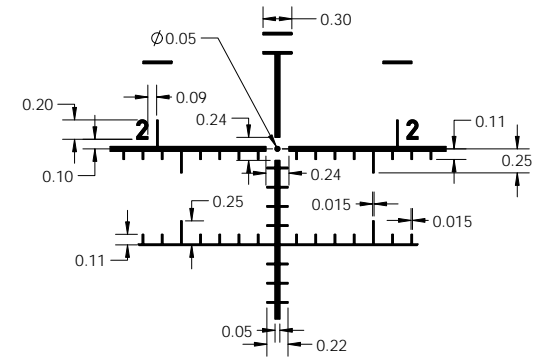


PROPRIETARY AND CONFIDENTIAL
 THIS PRINT IS THE PROPERTY OF HVRT CORP.
 ALL INFORMATION HERE ON IS CONFIDENTIAL.
 IT IS LOANED SUBJECT TO RETURN UPON DEMAND
 AND IN CONDITION THAT IT NOT BE REPLICATED
 OR USED IN ANY WAY DETRIMENTAL TO HVRT CORP.

REVISION HISTORY					
REV.	DESCRIPTION	DWG. BY	DATE	ECO	APPROVED
A	ADD TREMOR - 3 LABEL	SLH	7/2/2019	H9	KJ
B	UPATE/ADD DIMENSION	SLH	3/4/2020	H10	NG



DETAIL A

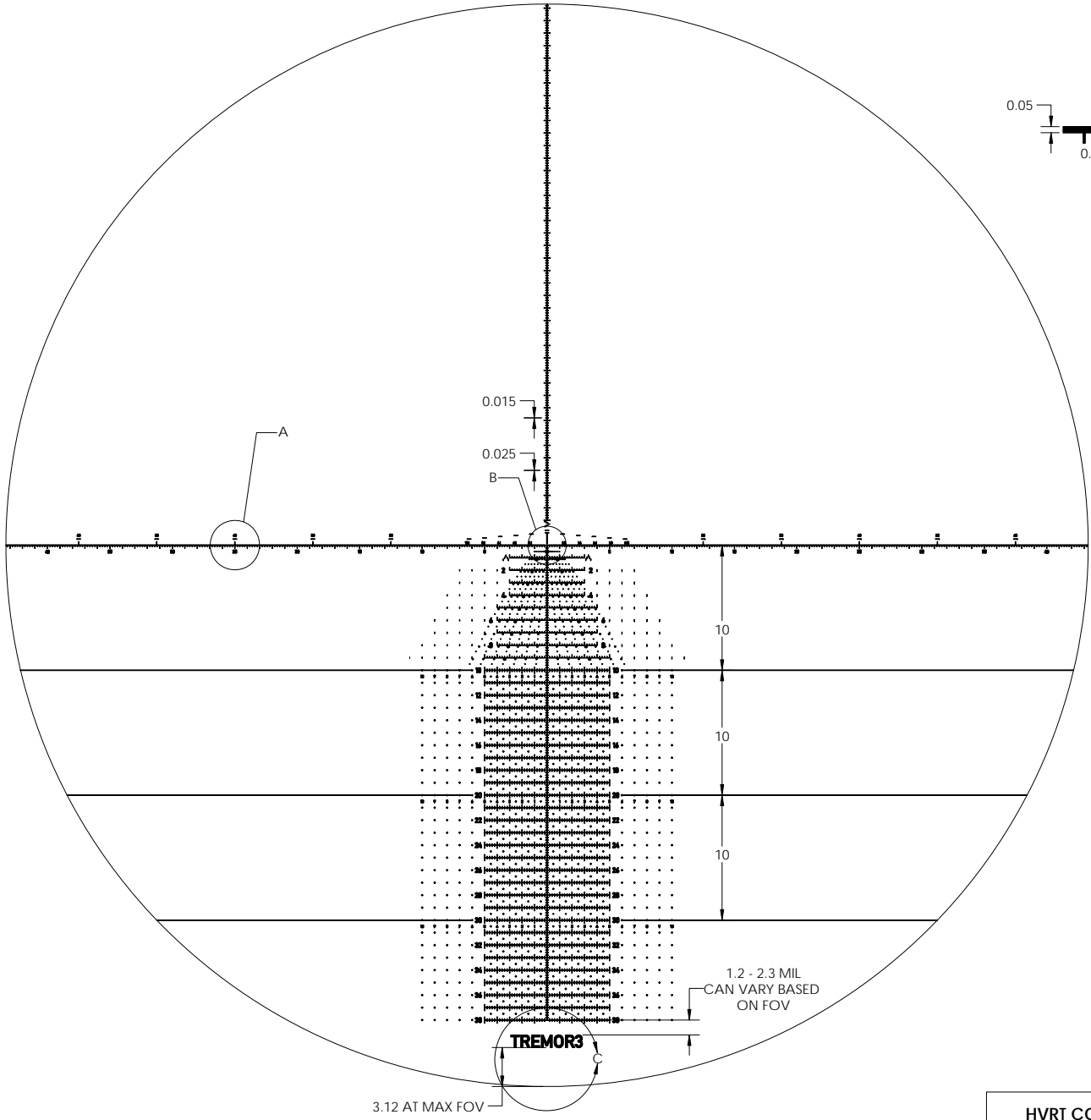


DETAIL B



DETAIL C

FONT IS DIN 1451 Mittleschrift
 ALL DIMENSIONS ARE IN MRAD (MIL)

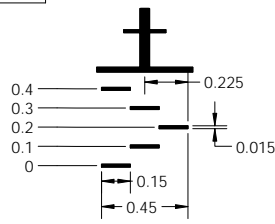


HVRT CORP.
 336 HAZEN LANE
 OROFINO, ID 83544

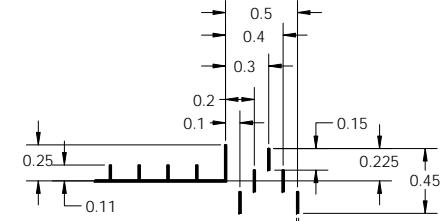
PART DESCRIPTION: TREMOR3_RevB		PART# TREMOR3_RevB	
PLOT C	REV B	SHEET 1 OF 5	
DWG BY: SLH	DATE: 12/13/2017	APPD BY: CR	DATE: 1/18/2018

PROPRIETARY AND CONFIDENTIAL
 THIS PRINT IS THE PROPERTY OF HVRT CORP.
 ALL INFORMATION HERE ON IS CONFIDENTIAL.
 IT IS LOANED SUBJECT TO RETURN UPON DEMAND
 AND IN CONDITION THAT IT NOT BE REPLICATED
 OR USED IN ANY WAY DETRIMENTAL TO HVRT CORP.

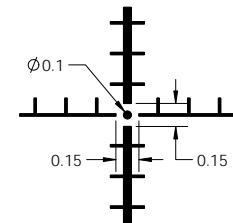
REVISION HISTORY					
REV.	DESCRIPTION	DWG BY	DATE	ECO	APPROVED
A	ADD TREMOR: 3 LABEL	SLH	7/2/2019	H9	KJ
B	UPDATE/ADD DIMENSIONS	SLH	3/4/2020	H10	NG



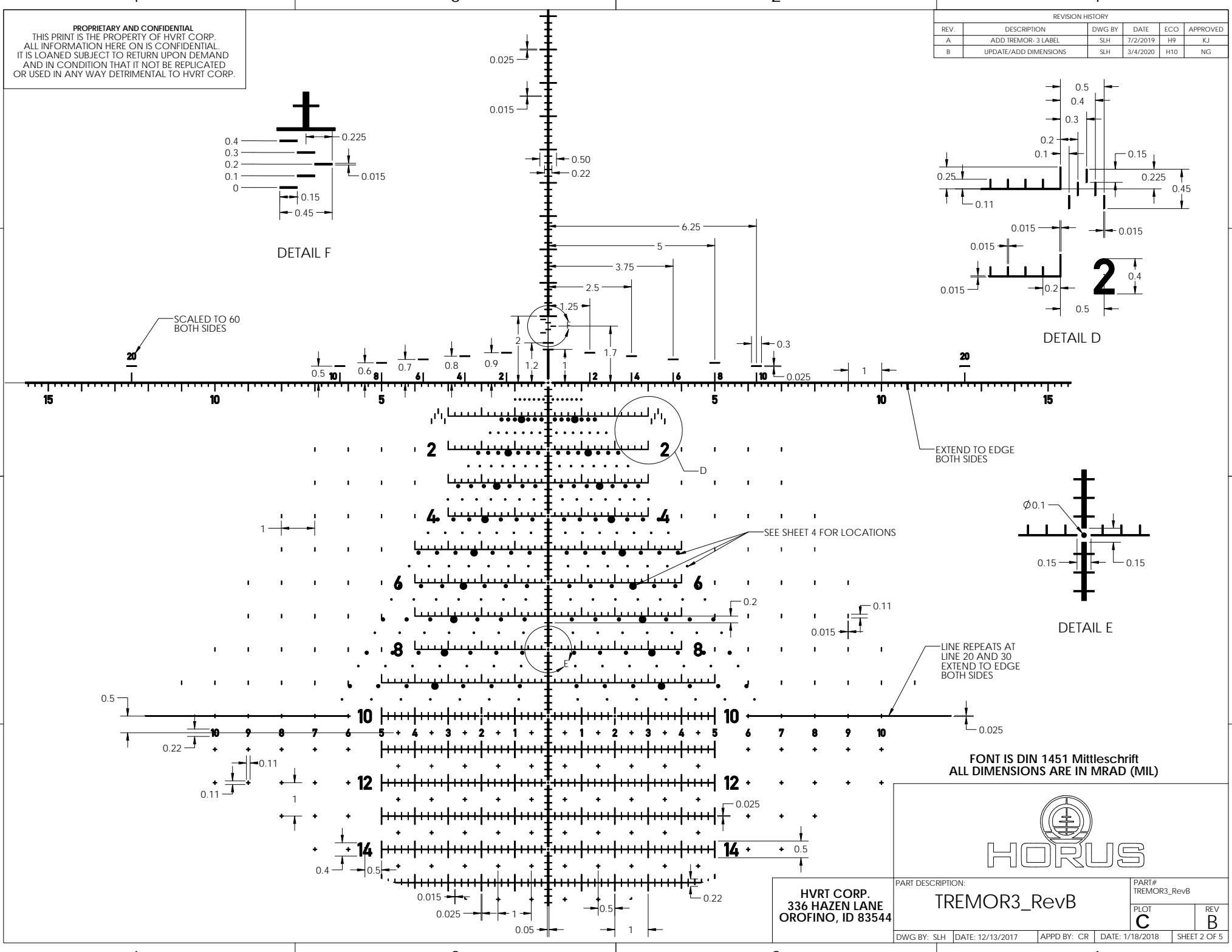
DETAIL F



DETAIL D



DETAIL E



FONT IS DIN 1451 Mittleschrift
 ALL DIMENSIONS ARE IN MRAD (MIL)

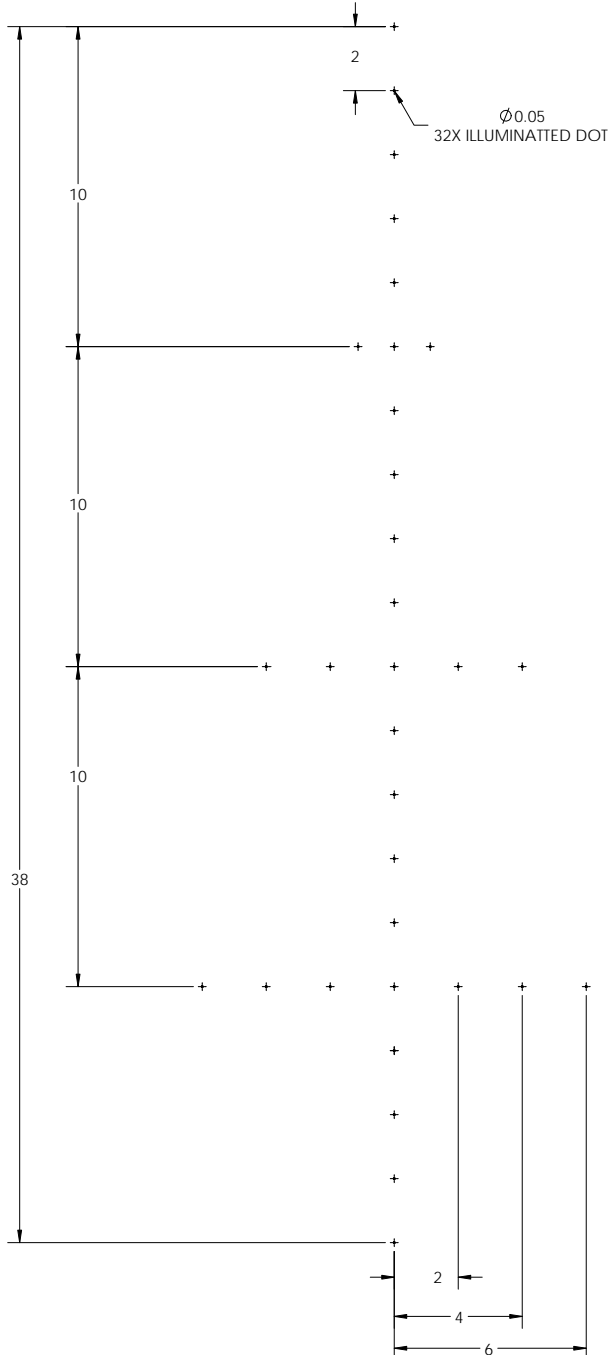


HVRT CORP.
 336 HAZEN LANE
 OROFINO, ID 83544

PART DESCRIPTION: TREMOR3_RevB		PART# TREMOR3_RevB	
PLOT C	REV B	SHEET 2 OF 5	
DWG BY: SLH	DATE: 12/13/2017	APPD BY: CR	DATE: 1/18/2018

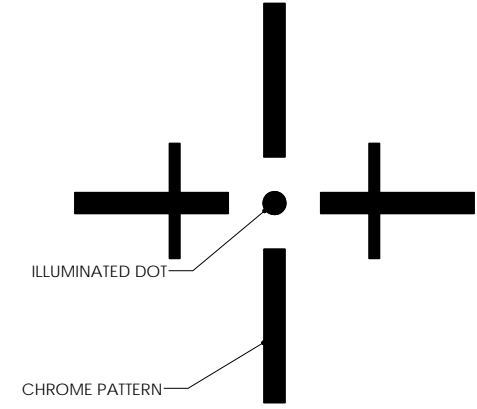
PROPRIETARY AND CONFIDENTIAL
 THIS PRINT IS THE PROPERTY OF HVRT CORP.
 ALL INFORMATION HERE ON IS CONFIDENTIAL.
 IT IS LOANED SUBJECT TO RETURN UPON DEMAND
 AND IN CONDITION THAT IT NOT BE REPLICATED
 OR USED IN ANY WAY DETRIMENTAL TO HVRT CORP.

REVISION HISTORY					
REV.	DESCRIPTION	DWG BY	DATE	ECO	APPROVED
A	ADD TREMOR- 3 LABEL	SLH	7/2/2019	H9	KJ
B	UPDATE/ADD DIMENSION	SLH	3/4/2020	H10	NG

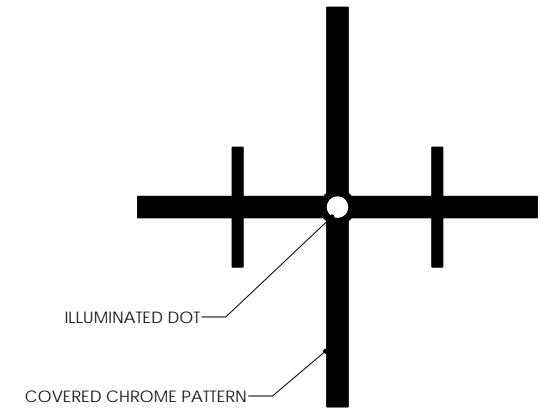


ILLUMINATION DETAIL

VERSION: FREE ILLUMINATED DOTS



VERSION: COVERED ILLUMINATED DOTS



FONT IS DIN 1451 Mittleschrift
 ALL DIMENSIONS ARE IN MRAD (MIL)



HVRT CORP. 336 HAZEN LANE OROFINO, ID 83544		PART DESCRIPTION: TREMOR3_RevB		PART# TREMOR3_RevB	
DWG BY: SLH		DATE: 12/13/2017		APPD BY: CR	
DATE: 1/18/2018		SHEET 3 OF 5		PLOT C	REV B

PROPRIETARY AND CONFIDENTIAL
 THIS PRINT IS THE PROPERTY OF HVRT CORP.
 ALL INFORMATION HERE ON IS CONFIDENTIAL.
 IT IS LOANED SUBJECT TO RETURN UPON DEMAND
 AND IN CONDITION THAT IT NOT BE REPLICATED
 OR USED IN ANY WAY DETRIMENTAL TO HVRT CORP.

REVISION HISTORY					
REV.	DESCRIPTION	DWG BY	DATE	ECO	APPROVED
A	ADD TREMOR3 LABEL	SLH	7/2/2019	H9	KJ
B	UPDATE/ADD DIMENSIONS	SLH	3/4/2020	H10	NG

WIND DOT SIZE AND LOCATION

Y	X1	X2	X3	X4	X5	X6	X7	DOT DIA X4	OTHER DOT DIA
0.5	0.1417	0.2833	0.425	0.5667	0.7083	0.85	0.9917	0.05	0.05
1.1	0.2	0.4	0.6	0.8	1	1.2	1.4	0.2	0.1
1.5	0.249	0.498	0.747	0.996	1.245	1.494	1.743	0.05	0.05
2.1	0.3	0.6	0.9	1.2	1.5	1.8	2.1	0.2	0.1
2.5	0.342	0.684	1.026	1.368	1.71	2.052	2.394	0.05	0.05
3.1	0.386	0.772	1.158	1.544	1.93	2.316	2.702	0.2	0.1
3.5	0.43	0.86	1.29	1.72	2.15	2.58	3.01	0.05	0.05
4.1	0.474	0.948	1.422	1.896	2.37	2.844	3.318	0.2	0.1
4.5	0.515	1.03	1.545	2.06	2.575	3.09	3.605	0.05	0.05
5.1	0.556	1.112	1.668	2.224	2.78	3.336	3.892	0.2	0.1
5.5	0.596	1.192	1.788	2.384	2.98	3.576	4.172	0.05	0.05
6.1	0.636	1.272	1.908	2.544	3.18	3.816	4.452	0.2	0.1
6.5	0.672	1.344	2.016	2.688	3.36	4.032	4.704	0.05	0.05
7.1	0.708	1.416	2.124	2.832	3.54	4.248	4.956	0.2	0.1
7.5	0.743	1.486	2.229	2.972	3.715	4.458	5.201	0.05	0.05
8.1	0.778	1.556	2.334	3.112	3.89	4.668	5.446	0.2	0.1
8.5	0.814	1.628	2.442	3.256	4.07	4.884	5.698	0.05	0.05
9.1	0.85	1.7	2.55	3.4	4.25	5.1	5.95	0.2	0.1
9.5	0.884	1.768	2.652	3.536	4.42	5.304	6.188	0.05	0.05

FONT SI DIM 1451 Mittleschrift
 ALL DIMENSIONS ARE IN MRAD (MIL)



HVRT CORP. 336 HAZEN LANE OROFINO, ID 83544	PART DESCRIPTION: TREMOR3_RevB		PART# TREMOR3_RevB	
	DWG BY: SLH	DATE: 12/13/2017	APPD BY: CR	DATE: 1/18/2018

4

3

2

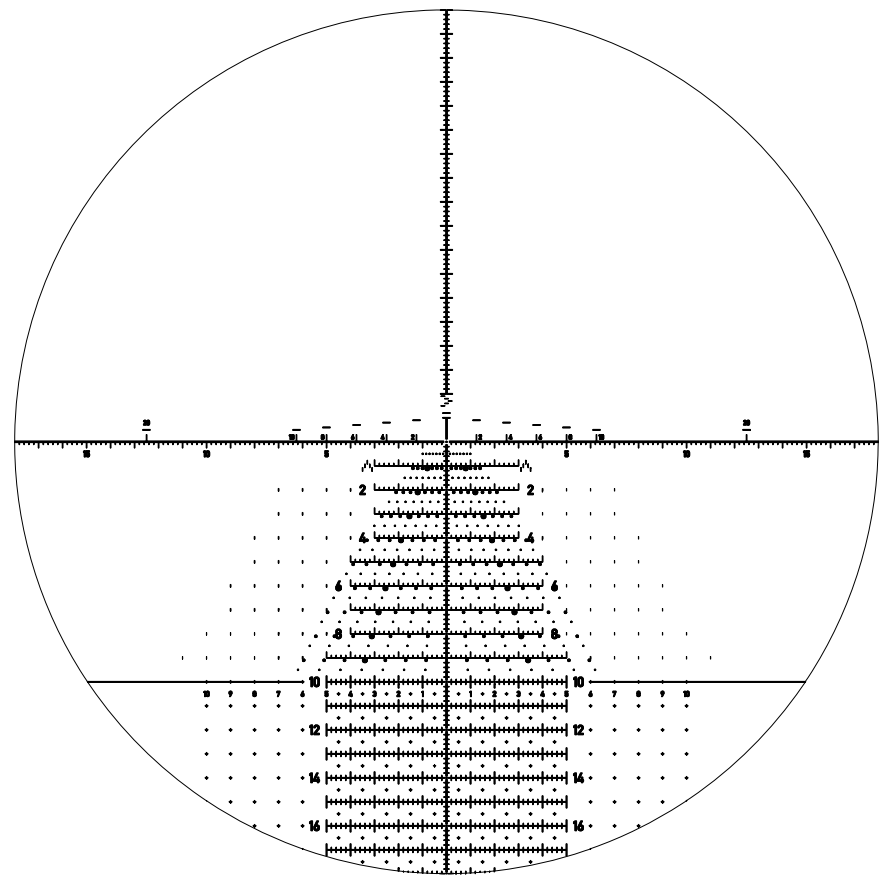
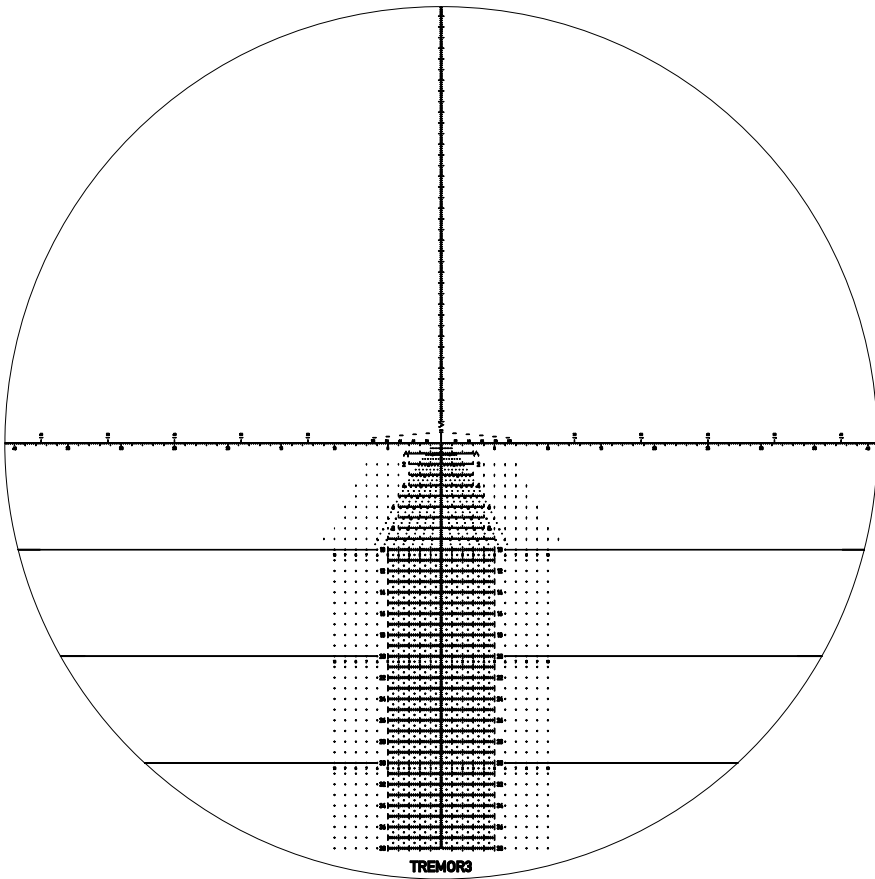
1

PROPRIETARY AND CONFIDENTIAL
 THIS PRINT IS THE PROPERTY OF HVRT CORP.
 ALL INFORMATION HERE ON IS CONFIDENTIAL.
 IT IS LOANED SUBJECT TO RETURN UPON DEMAND
 AND IN CONDITION THAT IT NOT BE REPLICATED
 OR USED IN ANY WAY DETRIMENTAL TO HVRT CORP.

REVISION HISTORY					
REV.	DESCRIPTION	DWG BY	DATE	ECO	APPROVED
A	ADD TREMOR3 LABEL	SLH	7/2/2019	H9	KJ
B	UPDATE/ADD DIMENSIONS	SLH	3/4/2020	H10	NG

LOW POWER

HIGH POWER



FONT IS DIN 1451 Mittelschrift
 ALL DIMENSIONS ARE IN MRAD (MIL)



HVRT CORP. 336 HAZEN LANE OROFINO, ID 83544	PART DESCRIPTION: TREMOR3_RevB		PART# TREMOR3_RevB	
	DWG BY: SLH	DATE: 12/13/2017	APPD BY: CR	DATE: 1/18/2018

4

3

2

1

D

D

C

C

B

B

A

A